



**AIR CONDITIONING PRODUCTS CO.**  
 QUALITY PRODUCTS FOR AIR MOVEMENT EQUIPMENT

# EXTRUDED ALUMINUM COMBINATION LOUVER/DAMPER

## MODEL ACL

Heavy duty Extruded Aluminum construction designed to protect the air intake and exhaust openings in the exterior walls of any building from rain and weather while still providing efficient airflow. The drainable blade design provides the best protection against water entering the opening by channeling water away from the blades and down the jambs. This eliminates water cascading from blade to blade. The adjustable rear blades allow for tight shutoff of the opening when needed.

### STANDARD CONSTRUCTION:

#### FRAME

- 4" deep channel x .080" thick Extruded Aluminum.

#### BLADES

- Drainable style, .080" thick Extruded Aluminum, positioned at a 45 degree angle and spaced approximately 4" centers.

#### SEALS

- Extruded TPV.

#### LINKAGE

- On-blade type with a Thumb Screw Operator as standard.

#### BIRDSCREEN

- 1/2" Flattened Aluminum in a removable frame mounted on the interior.

#### CONSTRUCTION

- Screwed.

#### FINISH

- Mill.

#### MINIMUM SIZE

- 12" W x 12" H

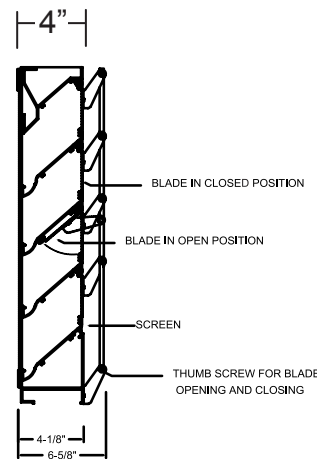
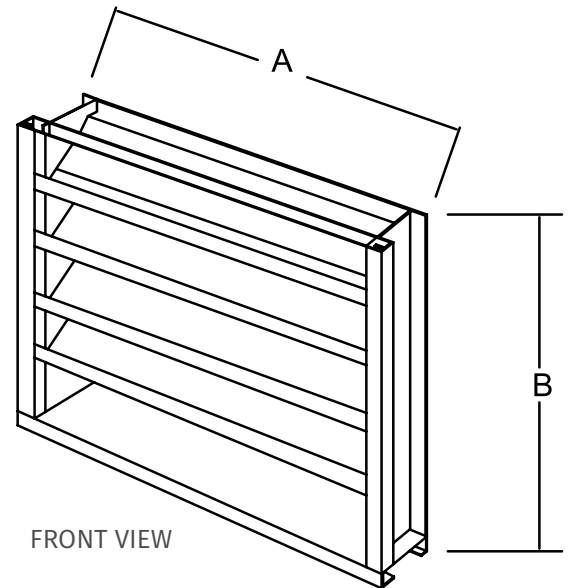
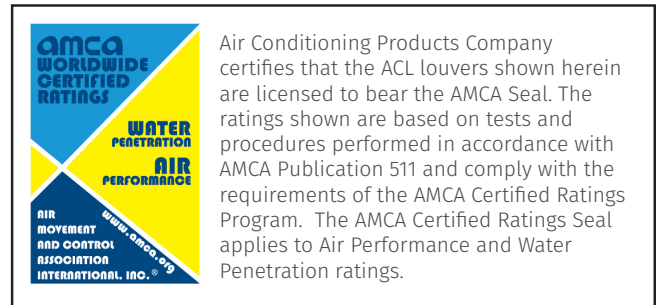
#### MAXIMUM SINGLE SECTION SIZE

- 60" W x 96" H

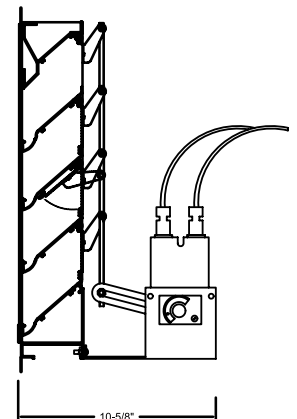
#### OPTIONS (AT ADDITIONAL COST)

- Up to 48" W x 48" H, 100 to 240 VAC, 50/60 Hz Motor Pack.
- Over 48" W x 48" H, 24 to 240 VAC, 50/60 Hz Motor Pack.
- 1-1/2" Flange

Note: Above "A" and "B" dimensions are undersized by 1/2" + or - normal tolerance of .0625".



SIDE VIEW  
 (W/ STD. THUMB SCREW)



SIDE VIEW  
 (W/ OPTIONAL MOTOR  
 AND FLANGED FRAME)

# MODEL ACL

## FREE AREA CHART (SQ. FT.):

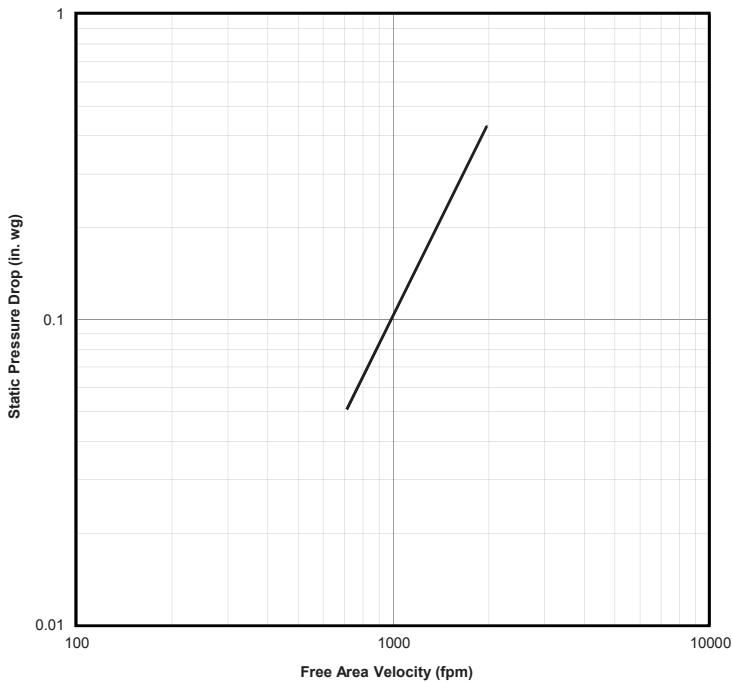
		LOUVER WIDTH IN INCHES							
		18	24	30	36	42	48	54	60
LOUVER HEIGHT IN INCHES	18	0.70	0.98	1.25	1.53	1.81	2.09	2.37	2.65
	24	1.06	1.49	1.91	2.34	2.76	3.18	3.61	4.03
	30	1.36	1.91	2.45	2.99	3.54	4.08	4.63	5.17
	36	1.73	2.42	3.11	3.80	4.49	5.18	5.87	6.56
	42	2.03	2.84	3.65	4.46	5.26	6.07	6.88	7.69
	48	2.39	3.35	4.30	5.26	6.21	<b>7.22</b>	8.12	9.08
	54	2.69	3.76	4.84	5.92	6.99	8.07	9.14	10.22
	60	3.05	4.28	5.50	6.72	7.94	9.16	10.38	11.60
	66	3.35	4.69	6.04	7.38	8.72	10.06	11.40	12.74
	72	3.72	5.21	6.69	8.18	9.67	11.15	12.64	14.13
	78	4.02	5.62	7.23	8.84	10.44	12.05	13.66	15.27
	84	4.38	6.13	7.89	9.64	11.39	13.15	14.90	16.65
	90	4.68	6.55	8.43	10.30	12.17	14.04	15.92	17.79
	96	5.05	7.06	9.08	11.10	13.12	15.14	17.16	19.17

### PRESSURE DROP

Standard Air - .075 lbs per cubic foot

Test size - 48" x 48" (Intake)

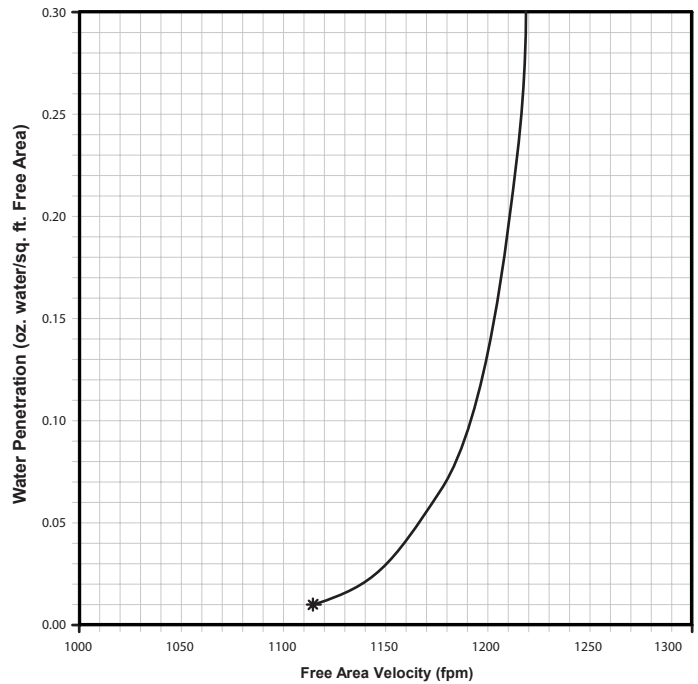
Ratings do not include the effect of a birdscreen



### WATER PENETRATION

Standard Air - .075 lbs per cubic foot

Test size - 48" x 48" for a 15 minute duration



**The beginning point of water penetration at .01 oz./sq. ft. is above 1118 fpm free area velocity.**

AMCA Standard 500-L provides a method for testing and rating louvers. These tests were performed under certain sets of laboratory conditions. These performance ratings do not guarantee that other environmental conditions may actually occur. Use safety factors when selecting louver sizes based upon performance.

For detailed information on our Limited Warranty Policy, please visit [www.acpshutters.com](http://www.acpshutters.com), or call (734) 326-0050.