

Please read and save these instructions. Read carefully before attempting to assemble, install, operate or maintain the product described. Protect yourself and others by observing all safety information. Failure to comply with instructions could result in personal injury and/or property damage! Retain instructions for future reference.

GENERAL SAFETY INFORMATION

WARNING: USE CAUTION WHEN HANDLING SHEET METAL PRODUCTS. PROTECTION SHOULD BE USED TO AVOID CONTACT WITH SHARP EDGES OR INJURY MAY OCCUR.

UNPACKING

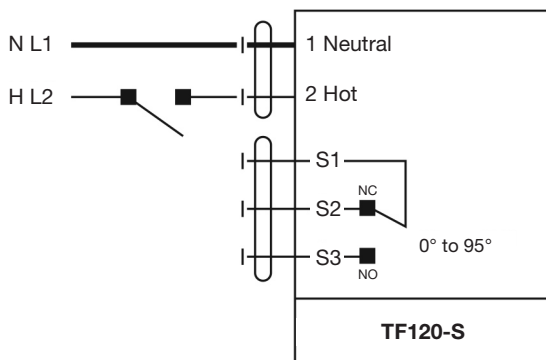
When unpacking, carefully remove motor pack from carton and inspect for any damage that may have occurred during transit.

INSTALLATION

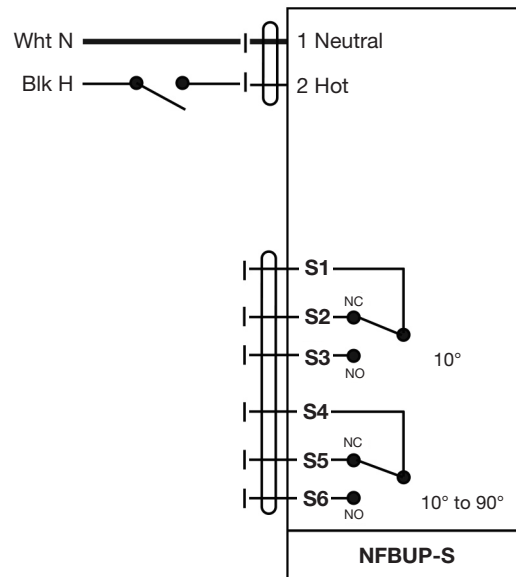
For use with Model ACL Combination Louver/Dampers

1. Remove the Thumb Screw Bracket from the bottom of the existing louver frame.
2. Bolt the new motor bracket to the louver frame using the predrilled mounting holes.
3. For sizes over 48", drill a 1/4" hole using the motor bracket as a template and insert the nut and bolt.
4. Insert the linkage rod into the crankarm ball joint.
5. Push the linkage rod upward until the louver is fully closed.
6. Tighten the ball joint set screw to secure the linkage rod.
7. Wire the motor as shown in Figure 1.

FIGURE 1



12" to 48" - 100 to 240V, 50/60 Hz



49" to 60" - 24 to 240V, 50/60 Hz

For detailed information on our Limited Warranty Policy, please visit www.acpshutters.com, or call (734) 326-0050.