



AIR CONDITIONING PRODUCTS CO.
 QUALITY PRODUCTS FOR AIR MOVEMENT EQUIPMENT

INSTALLATION INSTRUCTIONS COMBINATION LOUVER/DAMPER MODEL ACL

Please read and save these instructions. Read carefully before attempting to assemble, install, operate or maintain the product described. Protect yourself and others by observing all safety information. Failure to comply with instructions could result in personal injury and/or property damage! Retain instructions for future reference.

GENERAL SAFETY INFORMATION

WARNING: USE CAUTION WHEN HANDLING SHEET METAL PRODUCTS. PROTECTION SHOULD BE USED TO AVOID CONTACT WITH SHARP EDGES OR INJURY MAY OCCUR.

UNPACKING

When unpacking, carefully remove louver from carton and inspect for any damage that may have occurred during transit.

MAINTENANCE

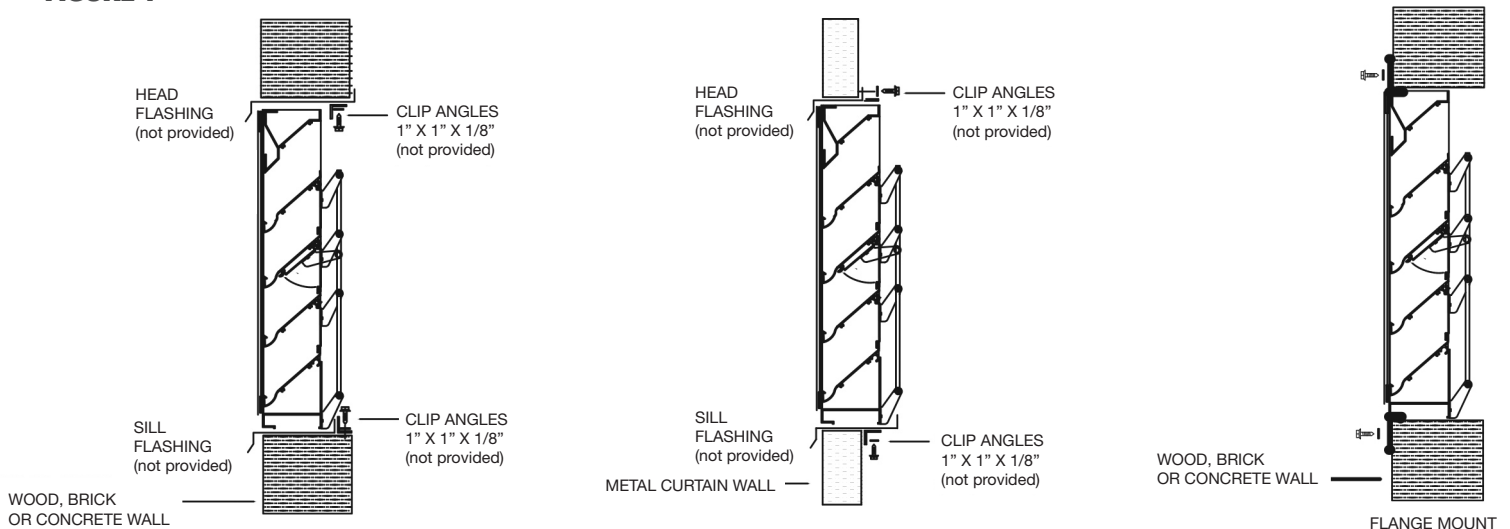
Periodically clean the screen to prevent buildup of dust and accumulated dirt which could reduce the air flow.

INSTALLATION

ENSURE STRUCTURAL INTEGRITY OF WALL BEFORE BREACHING.

1. Clean the opening prior to installation.
2. Wall opening should be 1/4" to 1/2" larger than the OD of the louver.
3. Install head and sill flashing (not provided) if needed in wall opening as per Figure 1.
4. Use clip angles (not provided) to attach frame to walls or secure through the flange with fasteners (not provided) as per Figure 1.
5. Caulk (not provided) the opening as needed.
6. Adjust the Thumb Screw Operator.

FIGURE 1



For detailed information on our Limited Warranty Policy, please visit www.acpshutters.com, or call (734) 326-0050.